

# Tripods, anchor and rescue

## **DX 301** rescue triangle

Ref.: DX 301



IT IS THE RESPONSIBILITY OF THE USER ORGANISATION TO PROVIDE THE IDENTITY CARD AND TO FILL IN THE DETAILS REQUIRED.  
 THE IDENTITY CARD SHOULD BE FILLED IN BEFORE THE FIRST USE BY A COMPETENT PERSON, RESPONSIBLE IN THE USER ORGANIZATION FOR PROTECTIVE EQUIPMENT.  
 ANY INFORMATION ABOUT THE EQUIPMENT LIKE PERIODIC INSPECTIONS, REPAIRS, REASONS OF EQUIPMENT'S WITHDRAWN FROM USE SHALL BE NOTED INTO THE IDENTITY CARD BY A COMPETENT PERSON.  
 THE IDENTITY CARD SHOULD BE STORED DURING A WHOLE PERIOD OF EQUIPMENT UTILIZATION.  
 DO NOT USE THE EQUIPMENT WITHOUT THE IDENTITY CARD.  
 ALL RECORDS IN THE IDENTITY CARD CAN BE FILLED IN ONLY BY A COMPETENT PERSON.



**Instruction Manual**  
**READ CAREFULLY BEFORE USE**  
**THE EQUIPMENT**

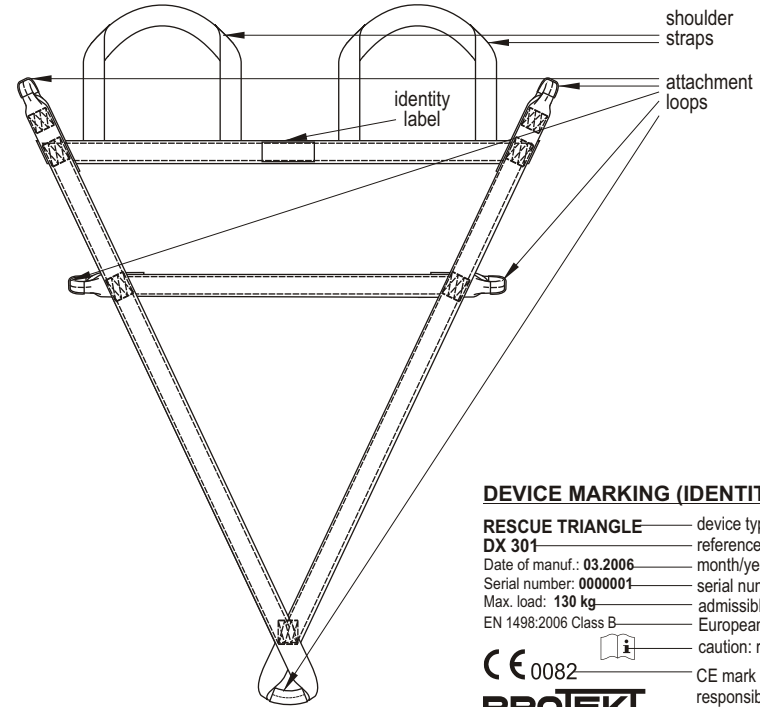
**CE 0082 EN 1498:2006 Class B**

**PROTEKT®**  
**RESCUE TRIANGLE**  
**DX 301**


Rescue triangle DX301 is destined for evacuation people from a height - it can be used for rescue purposes only.  
 Rescue triangle DX301 conforms to EN 1498 class B - Personal fall protection equipment - Rescue loops  
 Rescue triangle DX301 can be used by one person only. Maximal load of the triangle is 130 kg.

**MATERIALS AND CONSTRUCTION**

Rescue triangle DX301 is made of polyester webbings sewn together with polyester textile.



**DEVICE MARKING (IDENTITY LABEL)**

**RESCUE TRIANGLE** — device type  
**DX 301** — reference number  
 Date of manuf.: **03.2006** — month/year of manufacture  
 Serial number: **0000001** — serial number of the device  
 Max. load: **130 kg** — admissible maximal load of the device  
 EN 1498:2006 Class B — European standard number/year/class  
 caution: read the manual  
 — CE mark and number of notified body which is responsible for controlling manufacture process (art. 11)  
**PROTEKT** — marking of the manufacturer or distributor of the device

**IDENTITY CARD**

MODEL AND TYPE OF EQUIPMENT

REF. NUMBER

SERIAL NUMBER      DATE OF MANUF.

USER NAME

DATE OF PUTTING INTO OPERATION

DATE OF PURCHASE

**PERIODIC EXAMINATION AND REPAIR HISTORY**

	DATE	REASON FOR ENTRY PERIODIC EXAMINATION OR REPAIR	DEFECTS NOTED, REPAIRS CARRIED OUT AND OTHER REVELANT INFORMATIONS	NAME AND SIGNATURE OF COMPETENT PERSON	PERIODIC EXAMINATION NEXT DUE DATE
1					
2					
3					
4					

EC type examination carried out by CETE APAVE SUDEUROPE, BP 193, 13322 Marseille, France - 0082

**PROTEKT®**

93-403 Lodz  
 ul. Starorudzka 9  
 POLAND

tel: (+48 42) 680 20 83  
 fax: (+48 42) 680 20 93  
 e-mail: info@protekt.com.pl

**TIME OF USE**

Rescue triangle DX 301 can be used for a five years.

After this period detailed manufacturer's inspection must be carried out by a manufacturer or his authorized representative.

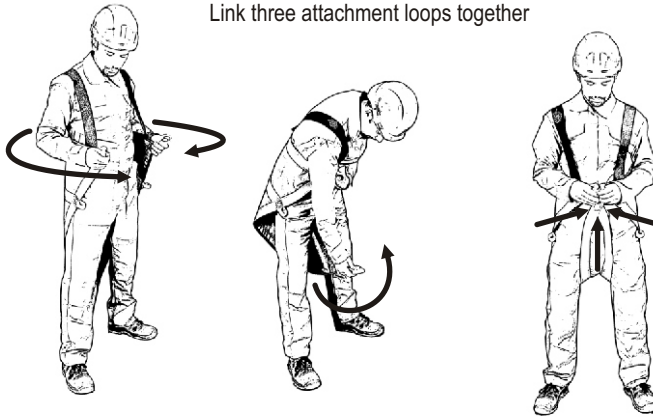
Rescue triangle DX 301 must be withdrawn from use when any defects appear during annual or every day use inspection,

## PUTTING ON THE TRIANGLE DX 301

Put on the shoulder straps



Link three attachment loops together



Snap the loops with the connector



Attach the rescue descending/ascending device to the linked loops



### **ATTENTION!**

The rescue triangle DX 301 can be used only by a trained person. Only properly and regularly rescue training guarantees successful rescue operation.

Ensure that the rescuee is not endangered by the displacement of straps of the rescue triangle or contact with attachment elements, e.g. a connector striking the head of the rescuee during an unintended incident such as a short fall

Using the rescue triangle DX301 in connection with rescue and protective equipment must be compatible with manual instructions of the equipment and obligatory standards:

- EN 341 - for descender devices
- EN 1496 - for rescue devices
- EN 362 - for connectors
- EN 795 - for anchorages

## THE ESSENTIAL PRINCIPLES FOR USERS OF PERSONAL PROTECTIVE AND RESCUE EQUIPMENT

- personal protective equipment shall only be used by a person trained and competent in its safe use.
- personal protective equipment must not be used by a person with medical condition that could affect the safety of the equipment user in normal and emergency use.
- a rescue plan shall be in place to deal with any emergencies that could arise during the work.
- it is forbidden to make any alterations or additions to the equipment without the manufacturer's prior written consent.
- any repair shall only be carried out by equipment manufacturer or his certified representative.
- personal protective equipment shall not be used outside its limitations, or for any purpose other than that for which it is intended.
- personal protective equipment should be a personal issue item.
- before use ensure about the compatibility of items of equipment assembled into a fall arrest system. Periodically check connecting and adjusting of the equipment components to avoid accidental loosening or disconnecting of the components.
- it is forbidden to use combinations of items of equipment in which the safe function of any one item is affected by or interferes with the safe function of another.
- before each use of personal protective equipment it is obligatory to carry out a pre-use check of the equipment, to ensure that it is in a serviceable condition and operates correctly before it is used.
- during pre-use check it is necessary to inspect all elements of the equipment in respect of any damages, excessive wear, corrosion, abrasion, cutting or incorrect acting, especially take into consideration:
  - in full body harnesses and belts - buckles, adjusting elements, attaching points, webbings, seams, loops;
  - in energy absorbers - attaching loops, webbing, seams, casing, connectors;
  - in textile lanyards or lifelines or guidelines - rope, loops, thimbles, connectors, adjusting element, splices;
  - in steel lanyards or lifelines or guidelines - cable, wires, clips, ferrules, loops, thimbles, connectors, adjusting elements;
  - in retractable fall arresters - cable or webbing, retractor and brake proper acting, casing, energy absorber, connector;
  - in guided type fall arresters - body of the fall arrester, sliding function, locking gear acting, rivets and screws, connector, energy absorber;
  - in connectors - main body, rivets, gate, locking gear acting.
- after every 12 months of utilization, personal protective equipment must be withdrawn from use to carry out periodical detailed inspection. The periodic inspection must be carried out by a competent person for periodic inspection. The periodic inspection can be carried out also by the manufacturer or his authorized representative. In case of some types of the complex equipment e.g. some types of retractable fall arresters the annual inspection can be carried out only by the manufacturer or his authorized representative.
- regular periodic inspections are the essential for equipment maintenance and the safety of the users which depends upon the continued efficiency and durability of the equipment.
- during periodic inspection it is necessary to check the legibility of the equipment marking.
- it is essential for the safety of the user that if the product is re-sold outside the original country of destination the reseller shall provide instructions for use, for maintenance, for periodic examination and for repair in language of the country in which the product is to be used.
- personal protective equipment must be withdrawn from use immediately when any doubt arise about its condition for safe use and not used again until confirmed in writing by equipment manufacturer or his representative after carried out the detailed inspection.
- personal protective equipment must be withdrawn from use immediately and destroyed (or another procedures shall be introduced according detailed instruction from equipment manual) when it have been used to arrest a fall.
- a full body harness is the only acceptable body holding device that can be used in a fall arrest system.
- the anchor device or anchor point for the fall arrest system should always be positioned, and the work carried out in such a way, as to minimise both the potential for falls and potential fall distance. The anchor device/point should be placed above the position of the user . The shape and construction of the anchor device/point shall not allowed to self-acting disconnection of the equipment. Minimal static strength of the anchor device/point is 10 kN. It is recommended to use certified and marked structural anchor point complied with EN795.
- it is obligatory to verify the free space required beneath the user at the workplace before each occasion of use the fall arrest system, so that, in the case of a fall, there will be no collision with the ground or other obstacle in the fall path. The required value of the free space should be taken from instruction manual of used equipment.
- there are many hazards that may affect the performance of the equipment and corresponding safety precautions that have to be observed during equipment utilization, especially:
  - trailing or looping of lanyards or lifelines over sharp edges,
  - any defects like cutting, abrasion, corrosion,
  - climatic exposure,
  - pendulum falls,
  - extremes of temperature,
  - chemical reagents,
  - electrical conductivity.
- personal protective equipment must be transported in the package (e.g.: bag made of moisture-proof textile or foil bag or cases made of steel or plastic) to protect it against damage or moisture.
- the equipment can be cleaned and disinfected without causing adverse effect on the materials in the manufacture of the equipment. For textile products use mild detergents for delicate fabrics, wash by hand or in a machine and rinse in water. Plastic parts can be cleaned only with water. When the equipment becomes wet, either from being in use or when due cleaning, it shall be allowed to dry naturally, and shall be kept away from direct heat. In metallic products some mechanic parts (spring, pin, hinge, etc.) can be regularly slightly lubricated to ensure better operation. Other maintenance and cleaning procedures should be adhered to detailed instructions stated in the manual of the equipment.
- personal protective equipment should be stored loosely packed, in a well-ventilated place, protected from direct light, ultraviolet degradation, damp environment, sharp edges, extreme temperatures and corrosive or aggressive substances.

IT IS THE RESPONSIBILITY OF THE USER ORGANISATION TO PROVIDE THE IDENTITY CARD AND TO FILL IN THE DETAILS REQUIRED.  
THE IDENTITY CARD SHOULD BE FILLED IN BEFORE THE FIRST USE BY A COMPETENT PERSON, RESPONSIBLE IN THE USER ORGANIZATION FOR PROTECTIVE EQUIPMENT.  
ANY INFORMATION ABOUT THE EQUIPMENT LIKE PERIODIC INSPECTIONS, REPAIRS, REASONS OF EQUIPMENT'S WITHDRAWN FROM USE SHALL BE NOTED INTO THE IDENTITY CARD BY A COMPETENT PERSON.  
THE IDENTITY CARD SHOULD BE STORED DURING A WHOLE PERIOD OF EQUIPMENT UTILIZATION.  
DO NOT USE THE EQUIPMENT WITHOUT THE IDENTITY CARD.  
ALL RECORDS IN THE IDENTITY CARD CAN BE FILLED IN ONLY BY A COMPETENT PERSON.



**Instruction Manual**  
**READ CAREFULLY BEFORE USE**  
**THE EQUIPMENT**

**CE 0082 EN 1498:2006 Class B**



# IDENTITY CARD

MODEL AND TYPE OF EQUIPMENT	
-----------------------------	--

REF. NUMBER	
-------------	--

SERIAL NUMBER		DATE OF MANUF.	
---------------	--	----------------	--

USER NAME	
-----------	--

DATE OF PUTTING INTO OPERATION	
--------------------------------	--

DATE OF PURCHASE	
------------------	--

## PERIODIC EXAMINATION AND REPAIR HISTORY

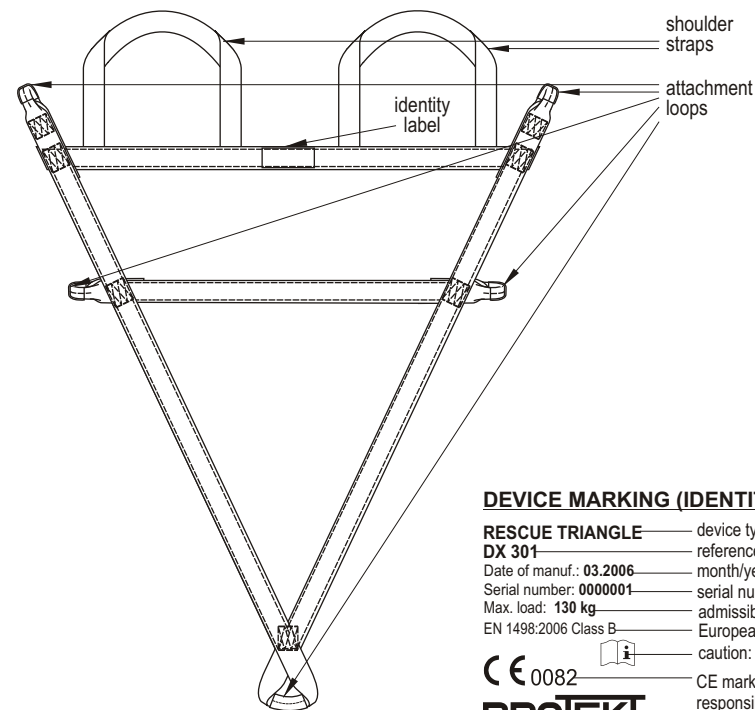
	DATE	REASON FOR ENTRY PERIODIC EXAMINATION OR REPAIR	DEFECTS NOTED, REPAIRS CARRIED OUT AND OTHER RELEVANT INFORMATIONS	NAME AND SIGNATURE OF COMPETENT PERSON	PERIODIC EXAMINATION NEXT DUE DATE
1					
2					
3					
4					

EC type examination carried out by CETE APAVE SUDEUROPE, BP 193, 13322 Marseille, France - 0082

Rescue triangle DX301 is destined for evacuation people from a height - it can be used for rescue purposes only.  
Rescue triangle DX301 conforms to EN 1498 class B - Personal fall protection equipment - Rescue loops  
Rescue triangle DX301 can be used by one person only. Maximal load of the triangle is 130 kg.

### MATERIALS AND CONSTRUCTION

Rescue triangle DX301 is made of polyester webbings sewn together with polyester textile.



### DEVICE MARKING (IDENTITY LABEL)

**RESCUE TRIANGLE** — device type  
**DX 301** — reference number  
Date of manuf.: **03.2006** — month/year of manufacture  
Serial number: **0000001** — serial number of the device  
Max. load: **130 kg** — admissible maximal load of the device  
EN 1498:2006 Class B — European standard number/year/class  
caution: read the manual  
**CE 0082** — CE mark and number of notified body which is responsible for controlling manufacture process (art. 11)  
**PROTEKT** — marking of the manufacturer or distributor of the device

### PERIODIC INSPECTION

After every 12 months of utilization, the rescue triangle must be withdrawn from use to carry out periodical detailed inspection. The inspection must be carried out also after each rescue operation employed the triangle DX 301. The periodic inspection must be carried out by a competent person for periodic inspection. The periodic inspection can be carried out also by the manufacturer or his authorized representative.

### TIME OF USE

Rescue triangle DX 301 can be used for a five years. After this period detailed manufacturer's inspection must be carried out by a manufacturer or his authorized representative. Rescue triangle DX 301 must be withdrawn from use when any defects appear during annual or every day use inspection,

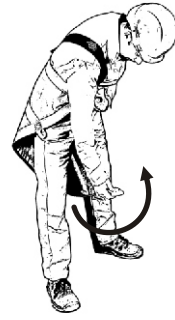
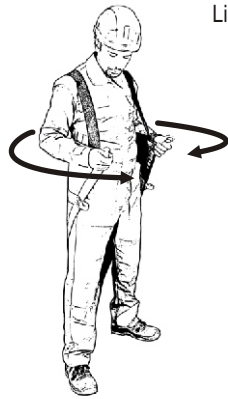


**PUTTING ON THE TRIANGLE DX 301**

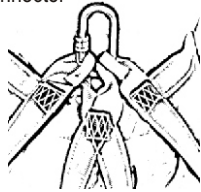
Put on the shoulder straps



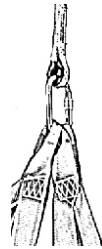
Link three attachment loops together



Snap the loops with the connector



Attach the rescue descending/ascending device to the linked loops

**ATTENTION!**

The rescue triangle DX 301 can be used only by a trained person. Only properly and regularly rescue training guarantees successful rescue operation.

Ensure that the rescuee is not endangered by the displacement of straps of the rescue triangle or contact with attachment elements, e.g. a connector striking the head of the rescuee during an unintended incident such as a short fall

Using the rescue triangle DX301 in connection with rescue and protective equipment must be compatible with manual instructions of the equipment and obligatory standards:

- EN 341 - for descender devices
- EN 1496 - for rescue devices
- EN 362 - for connectors
- EN 795 - for anchorages

**THE ESSENTIAL PRINCIPLES FOR USERS OF PERSONAL PROTECTIVE AND RESCUE EQUIPMENT**

- personal protective equipment shall only be used by a person trained and competent in its safe use.
- personal protective equipment must not be used by a person with medical condition that could affect the safety of the equipment user in normal and emergency use.
- a rescue plan shall be in place to deal with any emergencies that could arise during the work.
- it is forbidden to make any alterations or additions to the equipment without the manufacturer's prior written consent.
- any repair shall only be carried out by equipment manufacturer or his certified representative.
- personal protective equipment shall not be used outside its limitations, or for any purpose other than that for which it is intended.
- personal protective equipment should be a personal issue item.
- before use ensure about the compatibility of items of equipment assembled into a fall arrest system. Periodically check connecting and adjusting of the equipment components to avoid accidental loosening or disconnecting of the components.
- it is forbidden to use combinations of items of equipment in which the safe function of any one item is affected by or interferes with the safe function of another.
- before each use of personal protective equipment it is obligatory to carry out a pre-use check of the equipment, to ensure that it is in a serviceable condition and operates correctly before it is used.
- during pre-use check it is necessary to inspect all elements of the equipment in respect of any damages, excessive wear, corrosion, abrasion, cutting or incorrect acting, especially take into consideration:
  - in full body harnesses and belts - buckles, adjusting elements, attaching points, webbings, seams, loops;
  - in energy absorbers - attaching loops, webbing, seams, casing, connectors;
  - in textile lanyards or lifelines or guidelines - rope, loops, thimbles, connectors, adjusting element, splices;
  - in steel lanyards or lifelines or guidelines - cable, wires, clips, ferrules, loops, thimbles, connectors, adjusting elements;
  - in retractable fall arresters - cable or webbing, retractor and brake proper acting, casing, energy absorber, connector;
  - in guided type fall arresters - body of the fall arrester, sliding function, locking gear acting, rivets and screws, connector, energy absorber;
  - in connectors - main body, rivets, gate, locking gear acting.
- after every 12 months of utilization, personal protective equipment must be withdrawn from use to carry out periodical detailed inspection. The periodic inspection must be carried out by a competent person for periodic inspection. The periodic inspection can be carried out also by the manufacturer or his authorized representative. In case of some types of the complex equipment e.g. some types of retractable fall arresters the annual inspection can be carried out only by the manufacturer or his authorized representative.
- regular periodic inspections are the essential for equipment maintenance and the safety of the users which depends upon the continued efficiency and durability of the equipment.
- during periodic inspection it is necessary to check the legibility of the equipment marking.
- it is essential for the safety of the user that if the product is re-sold outside the original country of destination the reseller shall provide instructions for use, for maintenance, for periodic examination and for repair in language of the country in which the product is to be used.
- personal protective equipment must be withdrawn from use immediately when any doubt arise about its condition for safe use and not used again until confirmed in writing by equipment manufacturer or his representative after carried out the detailed inspection.
- personal protective equipment must be withdrawn from use immediately and destroyed (or another procedures shall be introduced according detailed instruction from equipment manual) when it have been used to arrest a fall.
- a full body harness is the only acceptable body holding device that can be used in a fall arrest system.
- the anchor device or anchor point for the fall arrest system should always be positioned, and the work carried out in such a way, as to minimise both the potential for falls and potential fall distance. The anchor device/point should be placed above the position of the user . The shape and construction of the anchor device/point shall not allowed to self-acting disconnection of the equipment. Minimal static strength of the anchor device/point is 10 kN. It is recommended to use certified and marked structural anchor point complied with EN795.
- it is obligatory to verify the free space required beneath the user at the workplace before each occasion of use the fall arrest system, so that, in the case of a fall, there will be no collision with the ground or other obstacle in the fall path. The required value of the free space should be taken from instruction manual of used equipment.
- there are many hazards that may affect the performance of the equipment and corresponding safety precautions that have to be observed during equipment utilization, especially:
  - trailing or looping of lanyards or lifelines over sharp edges,
  - any defects like cutting, abrasion, corrosion,
  - climatic exposure,
  - pendulum falls,
  - extremes of temperature,
  - chemical reagents,
  - electrical conductivity.
- personal protective equipment must be transported in the package (e.g.: bag made of moisture-proof textile or foil bag or cases made of steel or plastic) to protect it against damage or moisture.
- the equipment can be cleaned and desinfected without causing adverse effect on the materials in the manufacture of the equipment. For textile products use mild detergents for delicate fabrics, wash by hand or in a machine and rinse in water. Plastic parts can be cleaned only with water. When the equipment becomes wet, either from being in use or when due cleaning, it shall be allowed to dry naturally, and shall be kept away from direct heat. In metallic products some mechanic parts (spring, pin, hinge, etc.) can be regularly slightly lubricated to ensure better operation. Other maintenance and cleaning procedures should be adhered to detailed instructions stated in the manual of the equipment.
- personal protective equipment should be stored loosely packed, in a well-ventilated place, protected from direct light, ultraviolet degradation, damp environment, sharp edges, extreme temperatures and corrosive or aggressive substances.



Centre d'Essais de Fontaine  
17, Boulevard Paul Langevin  
38600 FONTAINE - France  
Tél. +33.(0)4.76.53.52.22  
Fax +33.(0)4.76.53.32.40  
lab38chute@apave.com

## CERTIFICATE OF CONFORMITY

### N°06.6.0636/A

### according to NF EN 1498 of December 2006

#### I APPLICANT

- Applicant: Mr Grzegorz Laszkiewicz
- Company: PROTEKT Grzegorz Laszkiewicz - Ul. Starorudzka 9 - 93-403 LODZ - Poland

#### II MATERIAL USED

- Trademark: **PROTEKT**
  - Reference: **DX301**
  - Type of equipment: Rescue triangle - class B made up of triangular canvas including five polyester webbing buckles to link by connector. Attachment loops are made up of webbing.
- All components are described in the report of conformity n° 06.6.0636

#### IV REFERENTIAL

- The assessment of conformity was conducted taking into account the provision of European standard NF EN 1498:2006 "Rescue loops".

#### V CONDITION FOR USE OF THE EQUIPMENT

- This belt of rescue is not, this day, considered as equipment of individual protection against the falls of height.
- This rescue strap is a component of personal protective equipment consisting of elements designed and constructed to keep the rescued person sitting in the strap during the rescue operation
- This rescue loop is intended to be used, together with other components, as a component of a rescue system.

#### V REFERENTIAL

- The assessment of conformity was conducted taking into account the provision of European standard NF EN 1498:2006 "Rescue loops".

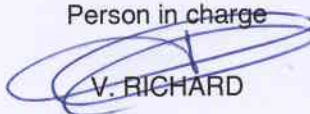
#### VI INTERPRETATION

- The rescue loop device class B "PROTEKT", reference "DX301" as defined in the report n° 06.6.0636 is conform to the requirements of the standard NF EN 1498 of December 2006.

Document certified by APAVE stamp

Date: The 13<sup>th</sup> February 2009

  
**CETE APAVE SUDEUROPE**  
 CENTRE D'ESSAIS DE FONTAINE  
 17 boulevard Paul Langevin  
 38600 FONTAINE  
 Tél. 04 76 53 52 22 - Fax 04 76 53 32 40

Person in charge  
  
**V. RICHARD**

*This certificate includes one page. This certificate is edited in two original copies. No duplicate will be issued.*

*This type of equipment is not a Personal Protective Equipment against falls from height, the present certificate of conformity is not an EC type examination certificate delivered by a notified body.*

#### CETE APAVE SUDEUROPE

Société par Actions Simplifiée au Capital de 6 502 500 € - N° SIREN : 775 581 812 - Site Internet : www.apave.com

**LYON**  
 177 route de Sain Bel  
 BP 3  
 69811 TASSIN CEDEX  
 Tél. : 04 72 32 52 52 - Fax : 04 72 32 52 00

**MARSEILLE**  
 SIEGE SOCIAL  
 8 rue Jean-Jacques Verna  
 Z.A.C. Saumaty-Séon - BP 193  
 13322 MARSEILLE CEDEX 16  
 Tél. : 04 96 15 22 60 - Fax : 04 96 15 22 61

**BORDEAUX**  
 Z.I. avenue Gay Lussac  
 BP 3  
 33370 ARTIGUES-près-BORDEAUX  
 Tél. : 05 56 77 27 27 - Fax : 05 56 77 27 00